



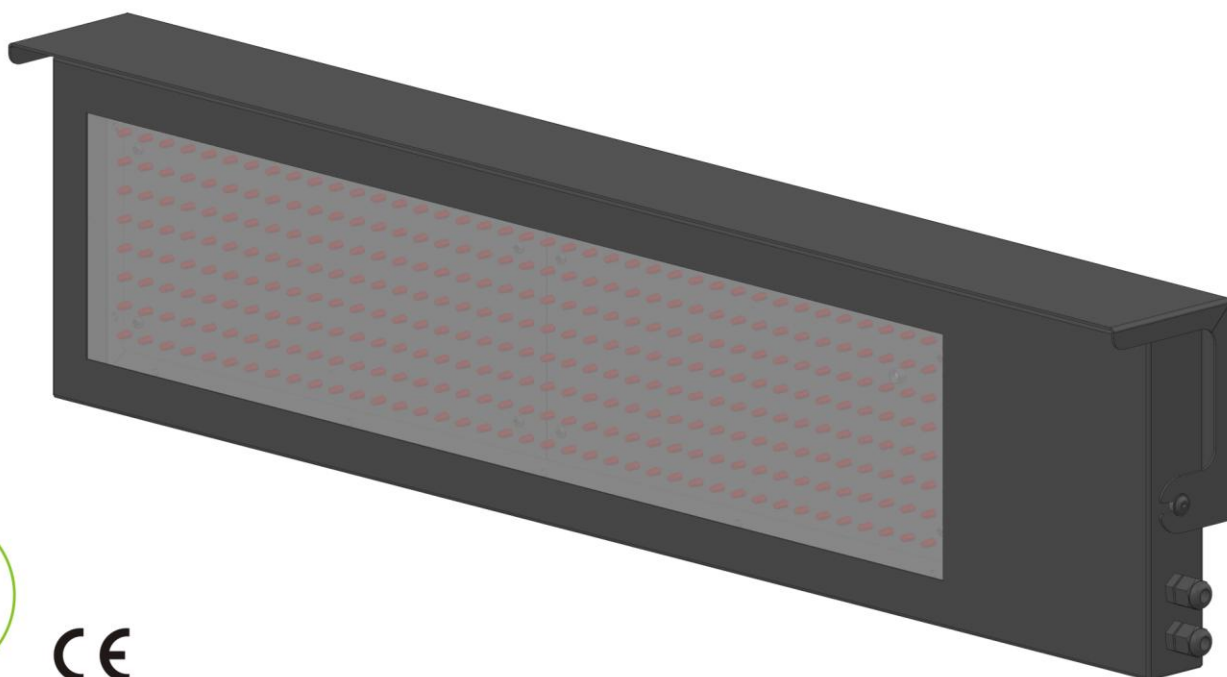
RGB Technology[®]
MODERN TECHNOLOGIES

OPERATION AND MAINTENANCE MANUAL

WA-2 PROFESSIONAL

Product code:

304-02-01



*Explanatory figure

Table of contents

1. Manufacturer	3
2. Specifications	3
3. Transport and storage	3
4. Device construction	3
4.1 WA-2 Professional construction	3
4.1.1 List of weighing scale display cables	4
4.2 WA-2 Professional dimensions	4
4.2.1 Dimensions without a roof.....	4
4.3 Mounting the display for weighing scales	4
4.3.1 Mounting bracket.....	4
4.3.2 Roof as a stand of the device	4
5. Mounting the device	4
5.1 WA-2 Professional device	5
5.2 WA-2 Professional configuration	5
5.2.1 Defining communication protocols.....	5
5.2.1.1 Embedded user menu (micro switch).....	5
5.2.1.2 Interface transmission parameters and communication speed	6
5.2.1.3 RGB WagSet 2 software	6
6. Weighing scale controller	6
6.1 Weighing scale controller connectors	6
6.2 List of weighing scale controller connectors.....	7
6.2.1 RS-232 connector:.....	7
6.2.2 RS-485 / RS-422 connector:	7
6.2.3 0/20mA digital current loop:.....	7
7. Automatic brightness control of the display for weighing scales.....	7
7.1 Lighting sensor	7
8. Initial start-up	8
9. Additional options	8
9.1 Temperature probe	8
10. Disposal and recycling	8
10.1 Recycling of packing materials.....	8
10.2 Disposal of the device	8
11. Most common errors during the installation	8

1. Manufacturer

RGB Technology Sp. z o. o.
 Tymień 18
 76-035 Tymień
 POLAND

2. Specifications

The display for weighing scales WA-2 PROFESSIONAL

Dimensions: ¹ [mm]:	801 x 180 x 40
Digit height [mm]:	120
Permissible input voltage range (long-term):	100 ÷ 240 VAC
Permissible input voltage range (short-term):	85 ÷ 264 VAC
Acceptable input voltage frequency range:	47 ÷ 63 Hz
Device operation temperature (ambient):	-25°C ÷ 45°C
Device operation temperature (device surface):	-25°C ÷ 70°C
Average power consumption:	8W
Casing tightness rating ² IP:	65
Device weight:	6kg

3. Transport and storage

Care should be taken to properly protect the devices so as to eliminate any damage during transport. It is forbidden to transport the devices in a collective package without adequate amortisation - each device must be packed separately and cannot have freedom of movement during transportation.

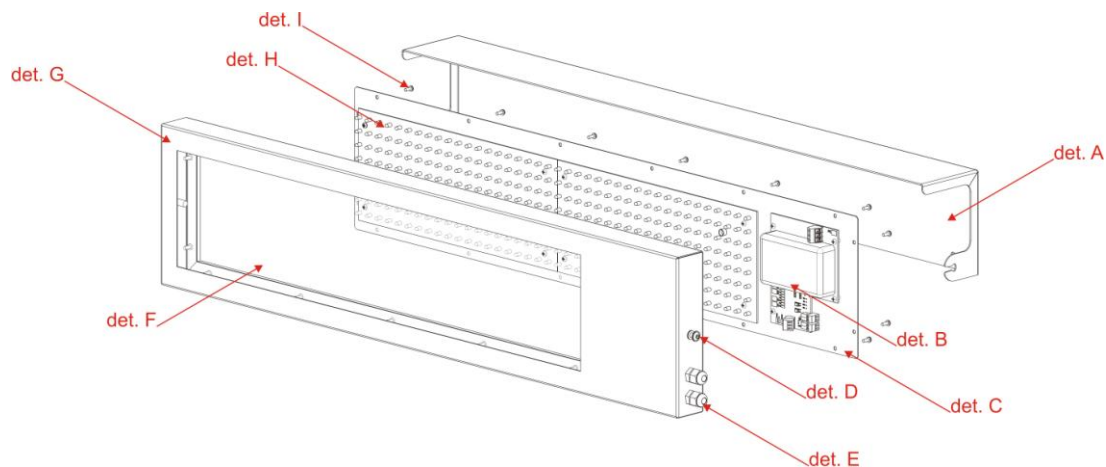
Due to the protective packing the module should be stored in the temperature not lower than -20°C and not higher than +60°C at the humidity below 99%RH.

4. Device construction

WA-2 Professional is enclosed in a powder-coated metal housing. The properly assembled device meets the IP65 tightness requirements.

4.1 WA-2 Professional construction

The figure shows display for weighing scales WA-2 Professional³.



det. A – roof; det. B – controller; det. C – back cover; det. D – roof fixing screw; det. E – cable gland; det. F – viewfinder; det. G – front of the device; det. H – LED modules; det. D – back cover fixing screws;

Fig. 1

¹ Dimensions without roof.

² Specified on the basis of EN 60529.

³ Explanatory figure.

4.1.1 List of weighing scale display cables

1. Five-metre power cord (3 x 1mm², core markings: blue, brown, yellow and green), terminated with WAGO 222-412 connectors on each core.
2. Five-metre signal cable (2 x 0.5mm², RS232 interface; core markings: white -> RA, green -> RK).

4.2 WA-2 Professional dimensions

All dimensions shown in the drawings are given in [mm].

4.2.1 Dimensions without a roof

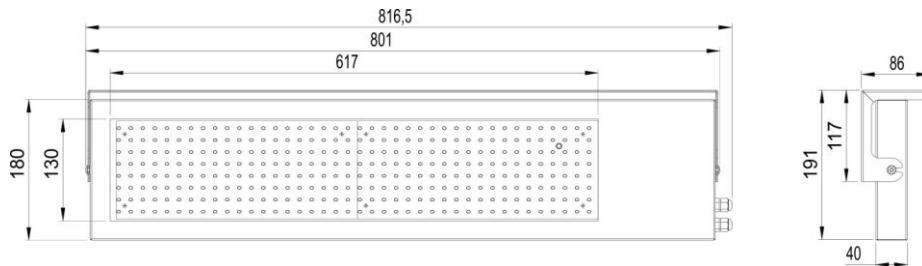


Fig. 2

4.3 Mounting the display for weighing scales

4.3.1 Mounting bracket

The roof functions as a mounting bracket (Fig. 4).

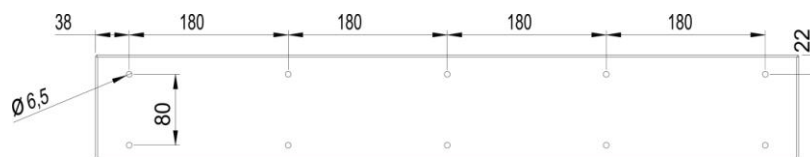


Fig. 3

4.3.2 Roof as a stand of the device

The appropriately mounted roof may function as a stand. The standard configuration of the mounting bracket functions as a roof, but after its relocation, it may also serve as a stand with an adjustable angle (Fig. 4).

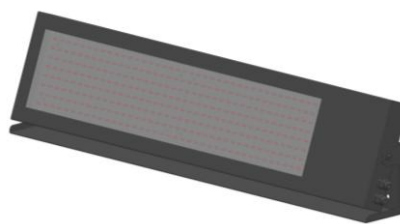


Fig. 4

5. Mounting the device

Correct mounting consists in installing the device on a flat surface or by using the roof as a stand (Fig. 4). Only the proper mounting of the device ensures its proper operation and the maintenance of the device parameters, like, among others, the housing tightness rating to satisfy the IP code.

NOTICE!

Before any installation or maintenance operations refer to the manual supplied by the manufacturer. Improper connection to the mains power supply, incautious device installation, or improper use may cause the property damage, loss of health or death from electrical shock! In addition, any failure to follow the manufacturer's instructions may void your warranty.

NOTICE!

It is forbidden to make any additional mounting points or any holes in the device assembly components.

5.1 WA-2 Professional device

The device is designed to display the measurement results transmitted by weighing terminals. For the proper operation of the device, it is necessary to pre-configure it using the RGB WagSet 2 software available at RGBtechnology.pl/soft or through the user menu embedded in the device.

5.2 WA-2 Professional configuration

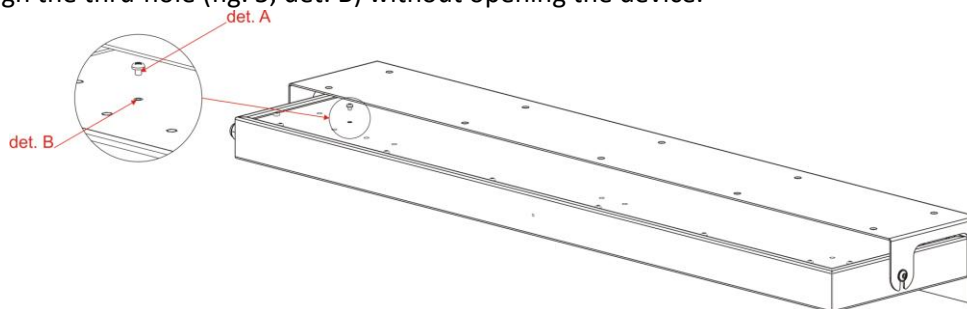
The configuration of the device using RGB WagSet 2 enables:

- 1) Precise defining the communication protocol with any weighing terminal,
- 2) Defining the reaction to the events reported by the weighing terminal (eg. overloading, underloading, instability, etc.),
- 3) Entering advertising text.

5.2.1 Defining communication protocols

5.2.1.1 Embedded user menu (micro switch)

The user menu embedded in the device allows you to select the communication protocol, display the information about the software version, reset the device to the default settings. The micro switch, used to operate the menu, is located inside the display housing, however, after unscrewing the lock screw (fig. 5, det. A) micro switch is available through the thru-hole (fig. 5, det. B) without opening the device.



det. A – lock screw; det. B – thru-hole

rys. 5

The user menu is called up by pressing and holding the "DEF" micro switch and releasing it when the desired option is displayed. Regardless of the option, you can exit the user menu by pressing the micro switch and releasing it when switching between the options (when switching between the options, the display does not display any information)

The user menu has the following options:

- 1) info – This option enables displaying the software version. For the displays with the Ethernet interface, additionally the network layer settings are given (the IP address, the network mask, the communication port for the RGB WagSet 2 program, and the communication port for the weighing terminal). The info option is exited automatically after displaying information.
- 2) proto – This option allows you to select the display communication protocol for the cooperation with the weighing terminals pre-loaded into the device memory. The amendments to the protocol are introduced by pressing the micro switch. You can approve the protocol by holding the micro switch for a long time (until the inscription "Saved" appears). The "proto" option is left after 30 seconds of the user inactivity.
- 3) custm – The "custm" option allows you to choose a dedicated display communication protocol for the cooperation with the weighing terminals of the selected customers. The protocols have special nonstandard settings meeting the needs of a given customer. Setting the protocol is done in the same way as for the "proto" option – you can approve the selected protocol by holding the micro switch for a long time (until the inscription "Saved" appears), while leaving the "custm" option is done automatically after 30 seconds of the user inactivity.

- 4) reset – This option allows you to restore the default protocol of the display for weighing scales. In addition, in the devices with the Ethernet interface, it allows you to restore the default settings of the network layer (IP address: 192.168.0.11, network mask: 255.255.255.0, communication port for the WagSet2 software: 2102, and the communication port for the weighing terminal). To restore the default settings, you should, during the normal operation of the device, press the micro switch and hold it until you see the inscription "reset". Hold the micro switch until the inscription "reset" starts blinking and do not release it until you see the inscription "default". Releasing the switch before displaying the inscription "default" will stop restoring the default settings and the display will continue to operate with the previously set parameters. Uploading new network settings is possible only by using the RGB WagSet 2 software available at RGBtechnology.pl/soft.

5.2.1.2 Interface transmission parameters and communication speed

Interface	Transmission parameters	Communication speed
RS232, RS485, RS422, CL	Data bits: 7, Parity: Odd, Even Data bits: 8, Parity: None, Odd, Even Stop bits: 1	300, 600, 1200, 2400, 4800, 9600, 14400, 19200, 28800, 38400, 57600, 76800, 115200, 230400

Table 1

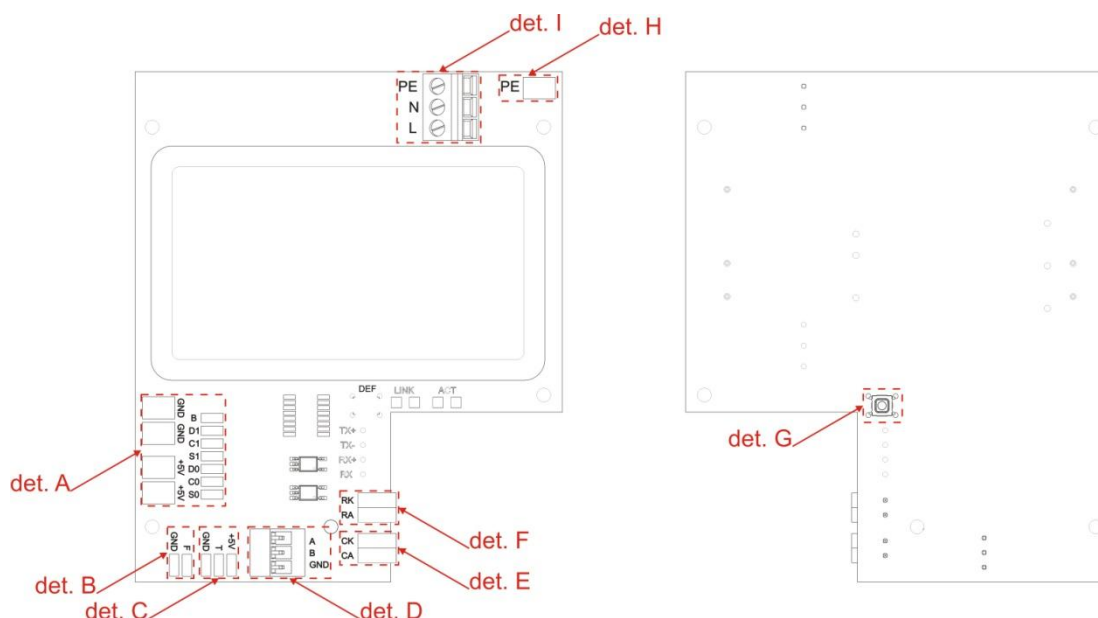
5.2.1.3 RGB WagSet 2 software

Using the WagSet 2 software, you can perform the advanced configuration of the device. The program allows you to change, among others: the parameters of displaying the weighing result, entering and editing advertising text, the display response to special situations such as: exceeded measurement range, etc. The detailed information on the configuration from your computer can be found in the manual supplied with the RGB WagSet 2 program.

6. Weighing scale controller

The weighing scale controller is a device responsible for displaying the measurement result transmitted by the weighing terminal.

6.1 Weighing scale controller connectors

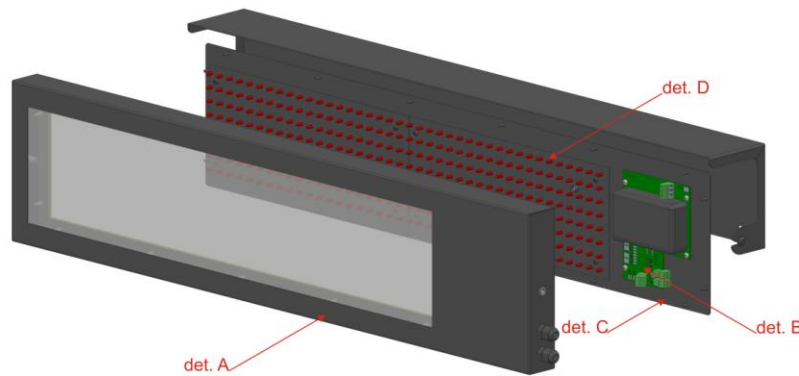


det. A – LED modules connector; det. B – lighting sensor connector; det. C – temperature probe connector; det. D – RS-485/RS-422 connector; det. E – 0/20mA digital current loop; det. F – RS-232 connector; Det. G – micro switch DEF; det. H – soldering point of the earthing; det. I – mains power supply connector;

Fig. 6

6.2 List of weighing scale controller connectors

Table 2 presents the description of the WEIGHING SCALES controller connectors (Fig. 8, det. B) in the WA-2 Professional display for weighing scales. The connectors are accessible after the disassembly of the back cover (Fig. 8, det. C) by removing the front of the device (Fig. 8, det. A). Moreover, on the back cover, LED modules are also fixed (Fig. 8, det. D).



det. A – front of the device; det. B – controller; det. C – back cover; det. D – LED modules

Fig. 7

NOTICE!

The disassembly of the housing must be made with the disconnected power supply.

	Interface/ Function	Connector symbols	Notes
STANDRAD ⁴	RS-232	RA	RXD line of the RS-232 interface. The line should be connected with the weighing terminal output.
		RK	GND line of the RS-232 interface
	0/20mA (CL) digital current loop	CA	CL line of the current loop. The line should be connected with the weighing terminal TDX output
		CK	GND line of the current loop interface
	RS-485 RS-422	A	RS-485 and RS-422 interface inverting line
		B	RS-485 and RS-422 interface non-inverting line
GND		GND line of the RS-485 and RS-232 interface for use at risk of a significant difference in the potentials of the display mass and the weighing terminal mass	

Table 2

6.2.1 RS-232 connector:

For configuration purposes, the user connects with the display for weighing scales via the RS-232 connector (Fig. 6), using the computer with the RGB WagSet 2 software installed.

6.2.2 RS-485 / RS-422 connector:

For configuration purposes, the user connects with the display for weighing scales via the RS-485 or RS-422 connector (Fig. 6), using the computer with the RGB WagSet 2 software installed.

6.2.3 0/20mA digital current loop:

For communication purposes, the user connects with the display for weighing scales via the digital current loop connector (Fig. 6), using the computer with the RGB WagSet 2 software installed.

7. Automatic brightness control of the display for weighing scales

7.1 Lighting sensor

In the standard version, the display for weighing scales has a lighting sensor included, which is placed on the LED panel. The device, in response to the intensity of daylight, adjusts the brightness of the display for weighing scales.

⁴ On the PCB controller there are located all connectors available as standard, however, only the RS-232 interface cable (without a tip) is led out.

8. Initial start-up

- Step 1: Make sure that all cables are properly connected,
- Step 2: Make sure that all components have been installed in the correct orientation,
- Step 3: Connect the device to the mains power source,
- Step 4: If properly connected, the system will display moving arrows (<<<<), followed by the symbol of a hard space () shown in the bottom right corner, which means that the user has 7 seconds to send the configuration to the display for weighing scales. If the user does not enter the configuration, the display for weighing scales will start running a demo, that is, a moving text (user text).

9. Additional options

9.1 Temperature probe

The temperature probe (Fig. 8) is available with two versions of a signal cable length 0.5m and 2m. The probe enables measuring and displaying temperature only in °C (Celsius). The detailed description of the temperature probe is available in the DTR documentation according to the catalogue index number.



Fig. 8

10. Disposal and recycling

10.1 Recycling of packing materials

The packaging materials must be segregated, then recycled in accordance with local regulations for waste disposal regulations.

10.2 Disposal of the device

The device can not be disposed with regular household waste!

According to Directive 2002 / 96 / EC (WEEE), when repair is not economically reasonable, user is obligated to hand over damaged or destroyed device to an appropriate disposal facility .



11. Most common errors during the installation

- 1 Incorrect configuration uploaded to the display for weighing scales.
- 2 Drilling additional mounting holes or holes in junction boxes.